

2020

# SteelWall®

Clutch bars for steel sheet pile walls



Basic series

---

[www.steelwallus.com](http://www.steelwallus.com)

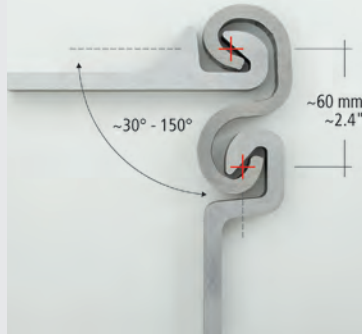
Issue date: May 2020

**LV20n**

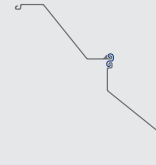
**Application** Corner connection

**Properties**

Steel grade: S355  
 Length: 11.8 m, 18 m | 38.7 ft, 59 ft  
 Steel thickness: 8 mm | 0.32"  
 Weight: 13.94 kg/m | 9.37 lbs/ft  
 Angular flexibility: ~30 - 150°\*  
 Max. tensile strength: ~600 kN/m | ~3.43 kips/in  
 Suitable for single drive: no



Suitable for all sheet piles with a Larssen interlock. Usage example with sheet pile AZ18.

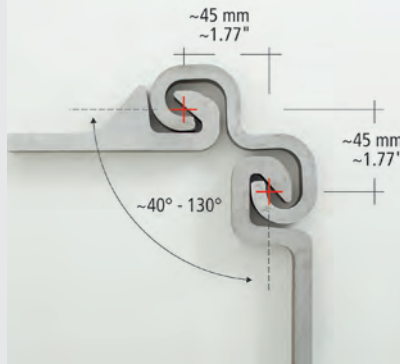


**LVO**

**Application** Omega connection

**Properties**

Steel grade: S355  
 Length: 11.8 m, 18 m | 38.7 ft, 59 ft  
 Steel thickness: 8 mm | 0.32"  
 Weight: 13.847 kg/m | 9.3 lbs/ft  
 Angular flexibility: ~40 - 130°\*  
 Max. tensile strength: ~600 kN/m | ~3.43 kips/in  
 Suitable for single drive: no



Suitable for all sheet piles with a Larssen interlock. Usage example with sheet pile AZ18.

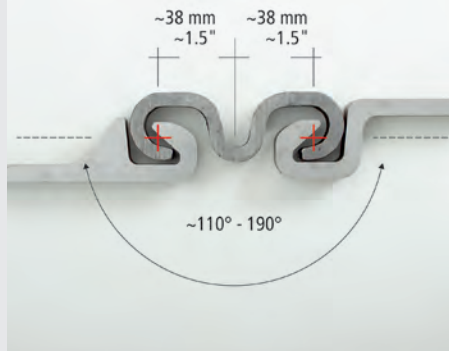


**LV-Omega**

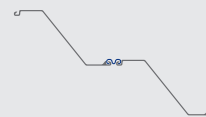
**Application** Omega connection

**Properties**

Steel grade: S355  
 Length: 11.8 m, 18 m | 38.7 ft, 59 ft  
 Steel thickness: 8 mm | 0.32"  
 Weight: 14.036 kg/m | 9.43 lbs/ft  
 Angular flexibility: ~110 - 190°\*  
 Max. tensile strength: ~600 kN/m | ~3.43 kips/in  
 Suitable for single drive: no



Suitable for all sheet piles with a Larssen interlock. Usage example with sheet pile AZ18.

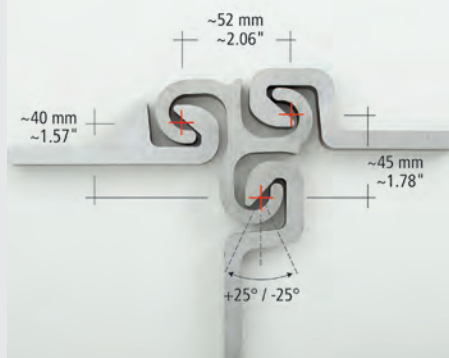


**LTn**

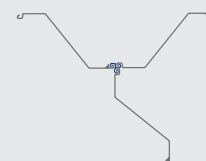
**Application** T-connection

**Properties**

Steel grade: S355  
 Length: 13.8 m | 45.2 ft  
 Steel thickness: 8 mm | 0.32"  
 Weight: 15.5 kg/m | 10.42 lbs/ft  
 Angle adjustability per individual lock: ~50°\*  
 Suitable for single drive: no



Suitable for all sheet piles with a Larssen interlock. Usage example with sheet pile AZ18.

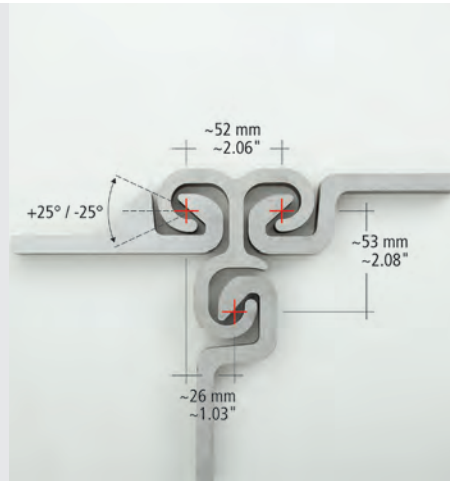


**LOTn**

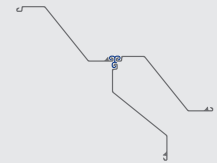
**Application** T-connection

**Properties**

Steel grade: S355  
 Length: 13.8 m | 45.2 ft  
 Steel thickness: 8 mm | 0.32"  
 Weight: 17.2 kg/m | 11.56 lbs/ft  
 Angle adjustability per individual lock: ~50°\*  
 Suitable for single drive: no



Suitable for all sheet piles with a Larssen interlock. Usage example with sheet pile AZ18.

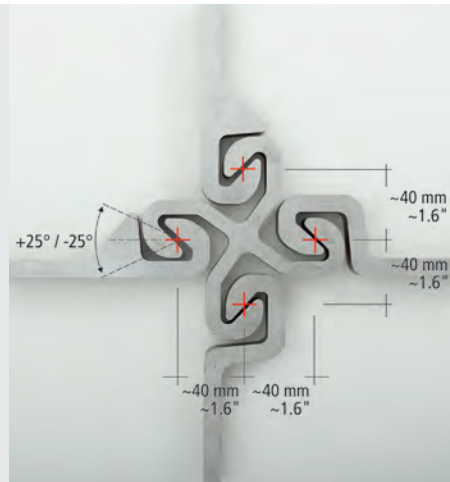


**L4S**

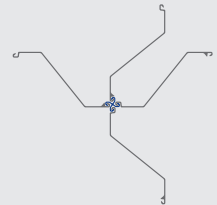
**Application** Cross connection

**Properties**

Steel grade: S355  
 Length: 11.8 m | 38.7 lbs/ft  
 Steel thickness: 8 mm | 0.32"  
 Weight: 23.2 kg/m | 15.6 lbs/ft  
 Angle adjustability per individual lock: ~50°\*  
 Suitable for single drive: no



Suitable for all sheet piles with a Larssen interlock. Usage example with sheet pile AZ18.



2020

# SteelWall®

Clutch bars for steel sheet pile walls



## Basic series



### Please note

SteelWall clutch bars generally comply with the European standards and are manufactured by certified steel processing companies. All figures are approximate and may vary. Bar twists are possible up to 0.025° per foot (2 mm per meter). Tolerance of steel thickness  $\pm 0.04"$  ( $\pm 1$  mm). Length tolerance up to  $\pm 7.9"$  ( $\pm 200$  mm). Degree details refer to the clutch bar axes. We reserve the right to make technical changes. We refer to DIN EN 12063. Please check the sheet pile interlocks with a physical sample section of the desired clutch bar for compatibility.

Copyright by SteelWall ISH GmbH. Issue date: 07th. May 2020

### Contact

US sales line 8:30 am to 4:30 pm (CT)

Toll free 1(888) 309 2250  
Fax: 1(888) 743 7712  
Email: [info@steelwallus.com](mailto:info@steelwallus.com)

[www.steelwallus.com](http://www.steelwallus.com)

Phone: +49-89-74 120 122  
Fax: +49-89-74 120 128  
E-Mail: [info@steelwall.eu](mailto:info@steelwall.eu)

SteelWall ISH GmbH  
Tassilostr. 21, 82166 Graefelfing, Germany

[www.steelwall.eu](http://www.steelwall.eu)